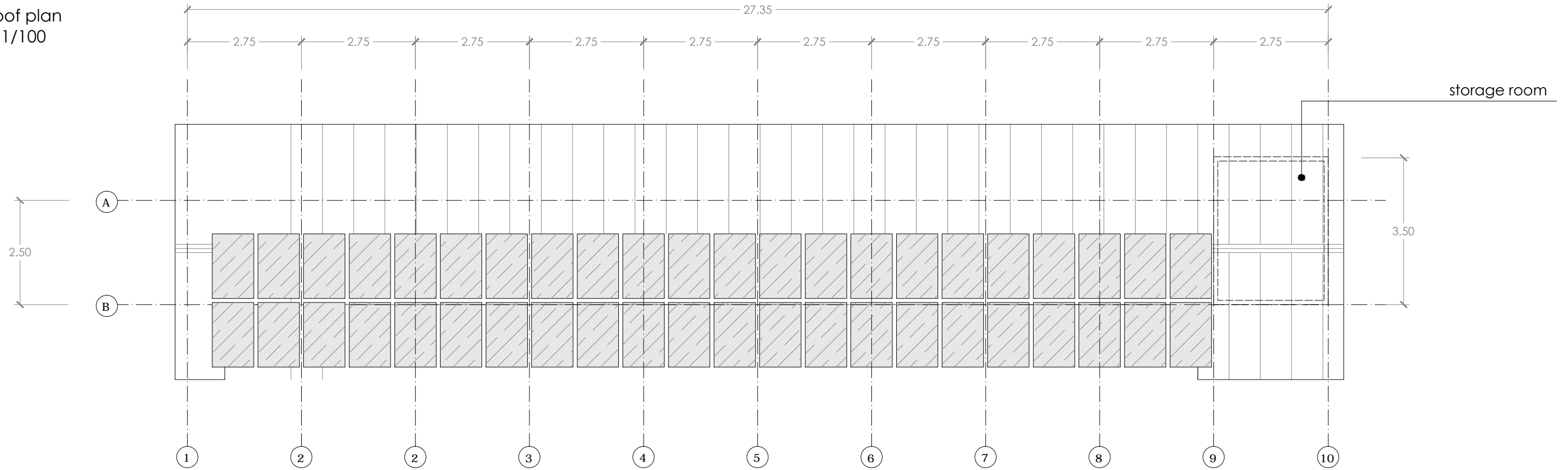
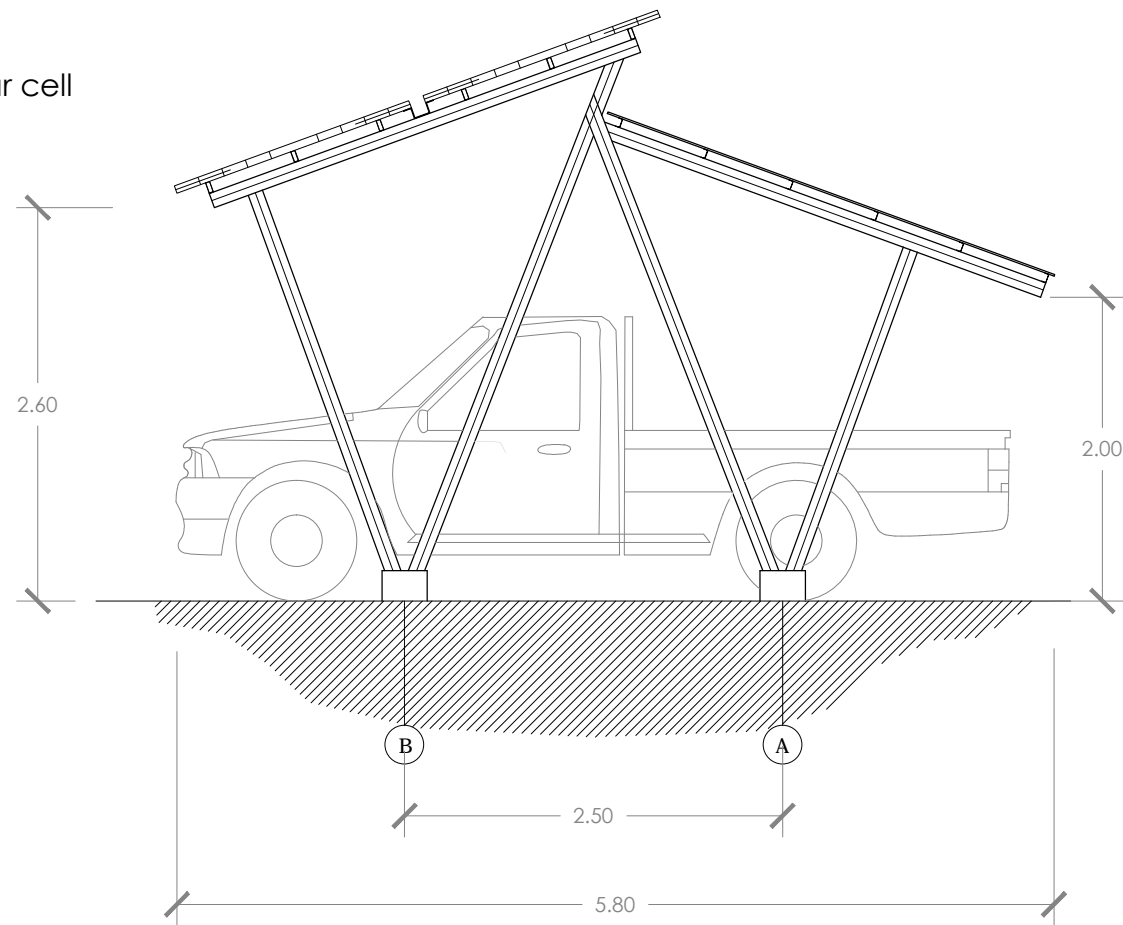


roof plan  
E:1/100



section solar cell  
E:1/50



section storage room  
E:1/50

